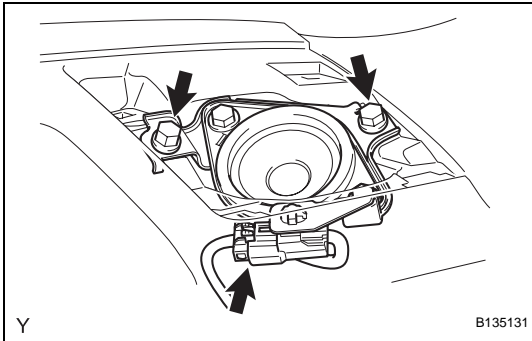


REMOVAL

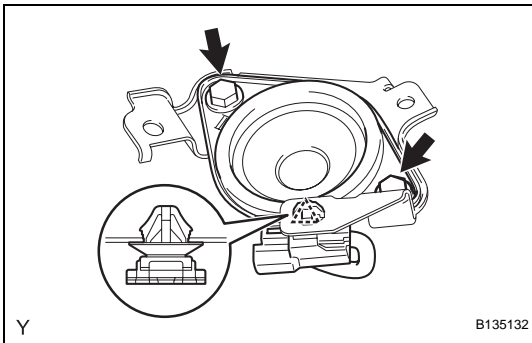
HINT:

The procedure described below is for the RH side. Use the same procedure for both the RH and LH sides, unless otherwise specified.

1. **DISCONNECT CABLE FROM NEGATIVE BATTERY TERMINAL**
2. **REMOVE INSTRUMENT PANEL SPEAKER PANEL SUB-ASSEMBLY (See page IP-16)**
3. **REMOVE FRONT SPEAKER BRACKET**
 - (a) Remove the 2 bolts and the front speaker bracket.
 - (b) Disconnect the speaker connector.



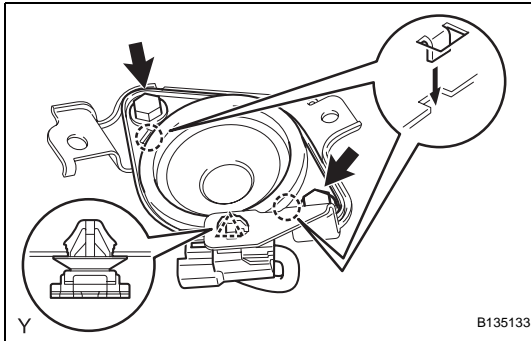
4. **REMOVE FRONT NO. 2 SPEAKER ASSEMBLY**
 - (a) Remove the clamp.
 - (b) Remove the 2 bolts and the front No. 2 speaker.



INSTALLATION

HINT:

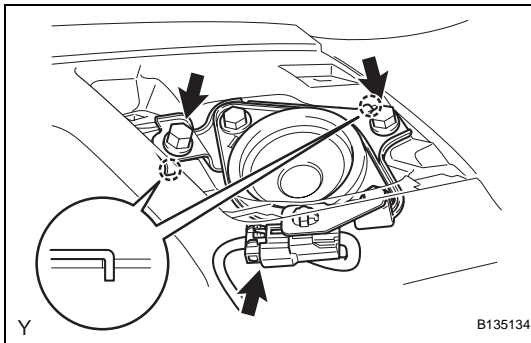
The procedure described below is for the RH side. Use the same procedure for both the RH and LH sides, unless otherwise specified.



1. INSTALL FRONT NO. 2 SPEAKER ASSEMBLY

- (a) Install the clamp.
- (b) Insert the 2 hooks into the 2 cutout of the front speaker bracket and install the front No. 2 speaker with the 2 bolts.

Torque: 8.1 N*m (85 kgf*cm, 72 in.*lbf)



2. INSTALL FRONT SPEAKER BRACKET

- (a) Connect the speaker connector.
- (b) Insert the 2 hooks into the 2 instrument panel holes and install the front speaker bracket with the 2 bolts.

Torque: 2.5 N*m (25 kgf*cm, 22 in.*lbf)

3. INSTALL INSTRUMENT PANEL SPEAKER PANEL SUB-ASSEMBLY (See page [IP-27](#))

4. CONNECT CABLE TO NEGATIVE BATTERY TERMINAL

Torque: 3.9 N*m (40 kgf*cm, 35 in.*lbf)